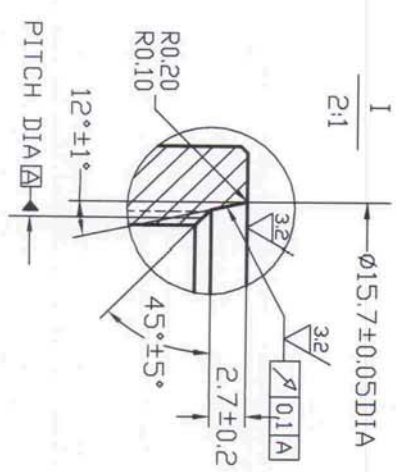
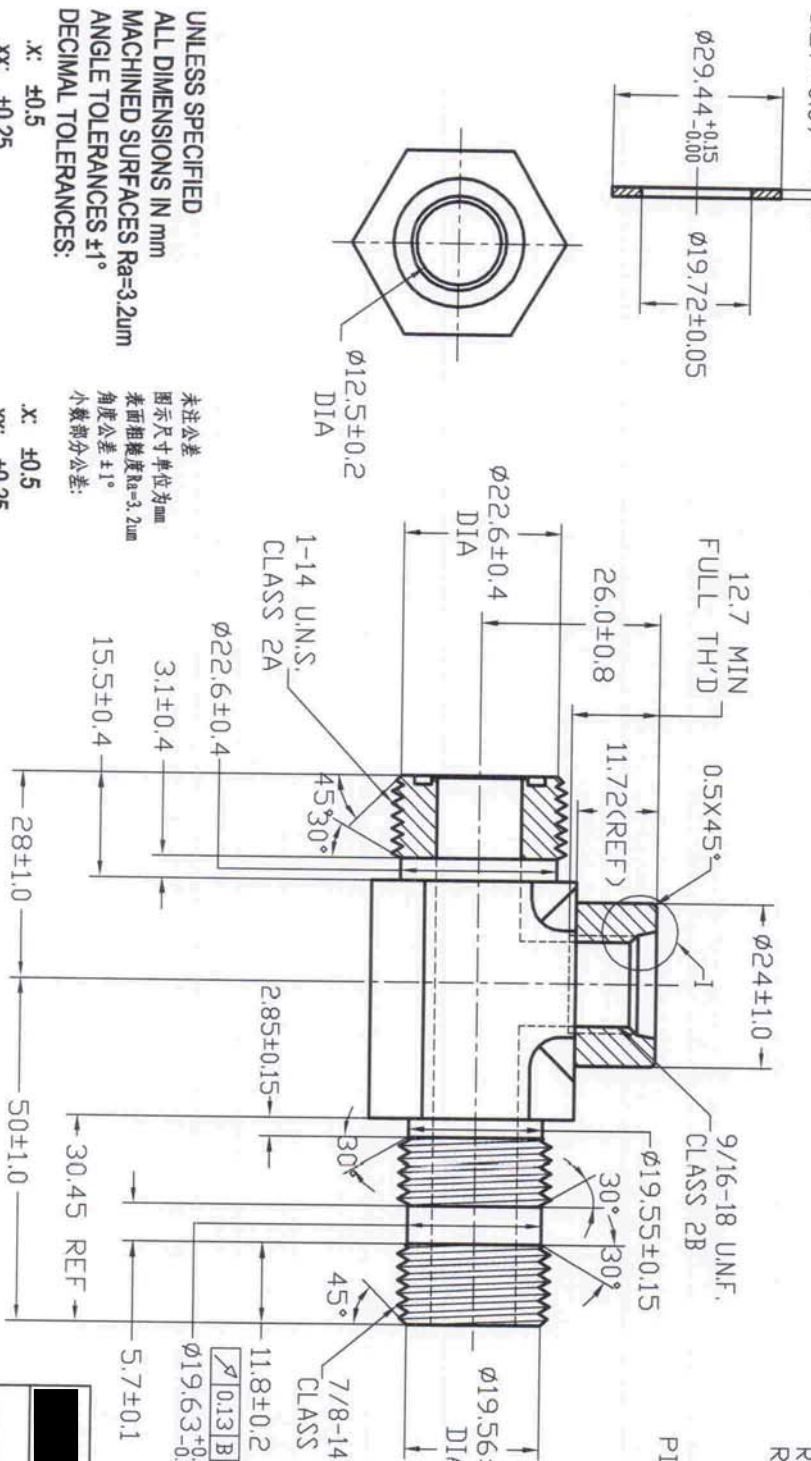
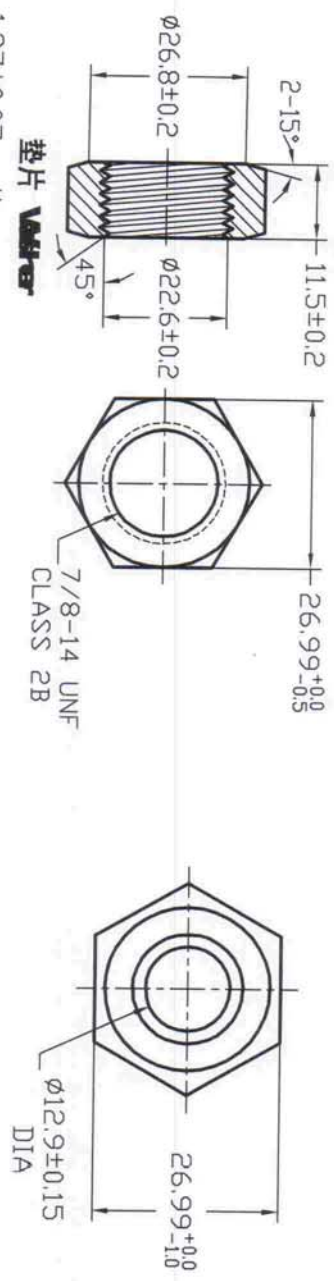


螺母 **M2**



UNLESS SPECIFIED
ALL DIMENSIONS IN mm
MACHINED SURFACES Ra=3.2um
ANGLE TOLERANCES ±1°
DECIMAL TOLERANCES:
X: ±0.5
XX: ±0.25
XXX: ±0.127

未注公差
图示尺寸单位为mm
表面粗糙度Ra=3.2um
角度公差±1°
小数部分公差:

X: ±0.5
XX: ±0.25
XXX: ±0.127

MATERIAL Chinese steel 45

FINISH Remove all sharp edges, burrs, slivers and swarf, break all edges 0.127-0.254mm, 去除所有毛刺, 铁屑等残留物, 邻近倒角0.127-0.254mm.
ZINC PLATED WITH TRIVALENT CHROMATE AND NO RED CORROSION IN 96 HOURS SALT SPRAY TEST. 镀三价铬锌, 银白色, 96小时盐雾试验无红斑.

REV	DATE	REVISION DETAILS	APPD
更改号	日期	更改内容	审核并批准

PART No 零件名
40951-10FS-6PT-10NW0

SCALE: APPD: Zhangjian
DATE: 批准 2013/10/29
日期 2013/10/29
MATERIAL: DRN: Tangjialin
Tangjialin
CHK: Lijunbiao
2013.10.29
审核